



METAL RAISED GARDEN BED



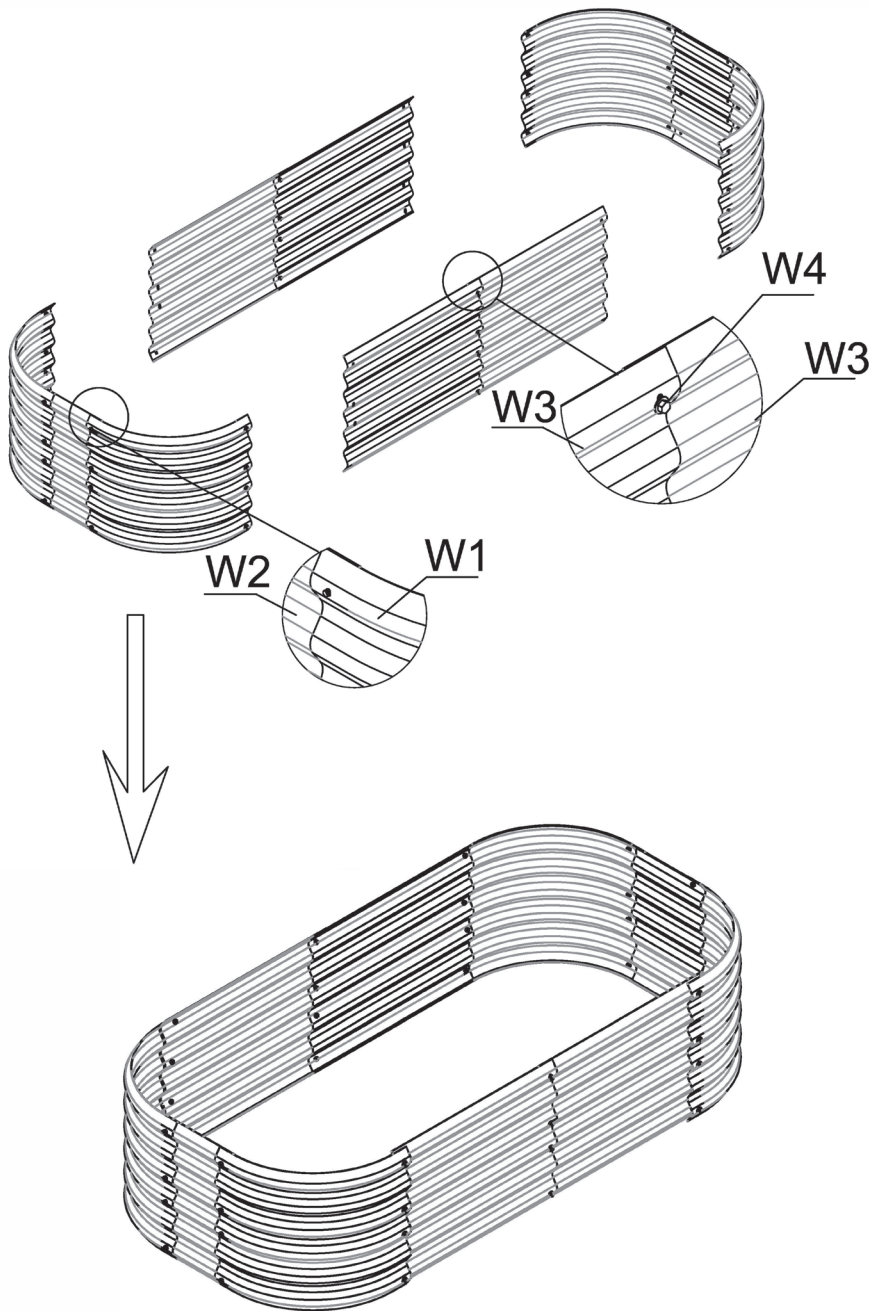
USER INSTRUCTION MANUAL

Part: 30062 **Model:** RDGD1809045






Size: 71" x 35.5" x 17.75"

Metal Raised Garden Bed Assembly Guide

Connect panels W1, W2, and W3 using bolts and nuts (W4). Use wrench (W5) to securely fasten them together as shown below.



Warning: Metal panels may have sharp edges that could cause injury. Please wear protective gloves when assembling the garden bed.

PIC	PART #	QTY
	W1	4
	W2	2
	W3	4
	W4	40
	W5	1